

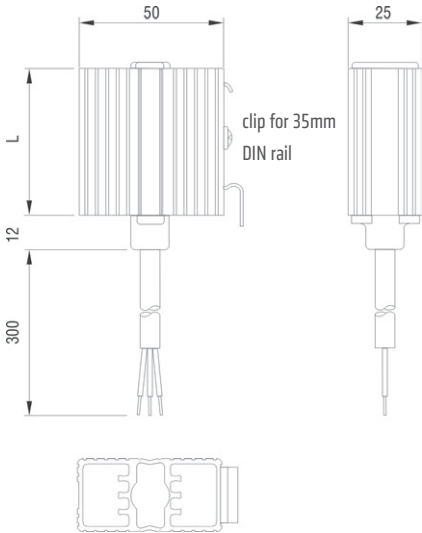
# SMALL SEMICONDUCTOR HEATER

HGK 047 | 10W to 30W



- > Dynamic heating up
- > Energy saving
- > Wide voltage range
- > Clip fixing

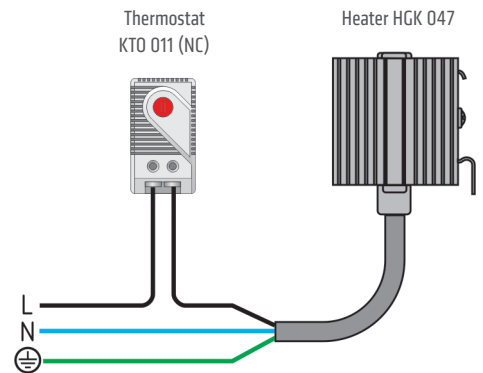
The heaters are used in enclosures where condensation is to be prevented or the temperature may not fall below a minimum value. In this way corrosion is avoided and an even temperature is ensured. The heaters are designed for permanent operation.



### TECHNICAL DATA

Heating element	PTC resistor - temperature limiting
Heater body	extruded aluminium profile, anodised
Mounting	clip for 35mm DIN rail, EN 60715
Fitting position	vertical airflow (air outlet up, connection on bottom)
Operating/Storage temperature	-45 to +70°C (-49 to +158°F)
Operating/Storage humidity	max. 90% RH (non-condensing)
Protection type/Protection class	IP44 / I (earthed)
Accessoires	screw fixing, Art. No. 09024.0-00 (1 packing unit = 2 pieces)
Note	other voltages on request

Example of connection



Art. No.	Operating voltage	Heating capacity <sup>1</sup>	Inrush current max.	Pre-fuse T (time delay)	Length (L)	Weight (approx.)	Connection	Approvals
04700.0-00	120-240V AC/DC <sup>2</sup>	10W	1.0A	1A	52mm	0.1kg	3 x 0,5mm <sup>2</sup> x 300mm cable (silicone)	VDE
04701.0-00	120-240V AC/DC <sup>2</sup>	20W	2.5A	2A	60mm	0.2kg	3 x 0,5mm <sup>2</sup> x 300mm cable (silicone)	VDE
04702.0-00	120-240V AC/DC <sup>2</sup>	30W	3.0A	2A	70mm	0.2kg	3 x 0,5mm <sup>2</sup> x 300mm cable (silicone)	VDE
04700.9-00	110-120V AC/DC	10W	1.0A	1A	52mm	0.1kg	3 x AWG 20 x 300mm cable	UL File No. E150057
04701.9-00	110-120V AC/DC	20W	1.5A	2A	70mm	0.2kg	3 x AWG 20 x 300mm cable	UL File No. E150057
04702.9-00	110-120V AC/DC	30W	1.5A	2A	100mm	0.2kg	3 x AWG 20 x 300mm cable	UL File No. E150057

<sup>1</sup> at +20°C (+68°F) ambient temperature

<sup>2</sup> (min. 110V, max 265V) Operating with voltages below 140V AC/DC reduces heating performance by approx. 10%.